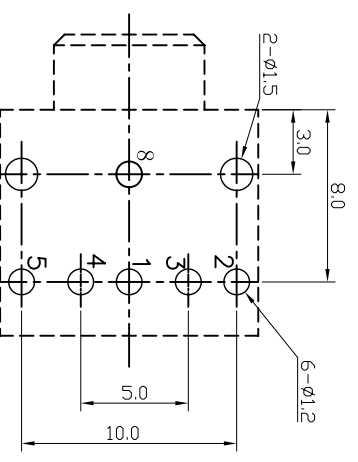
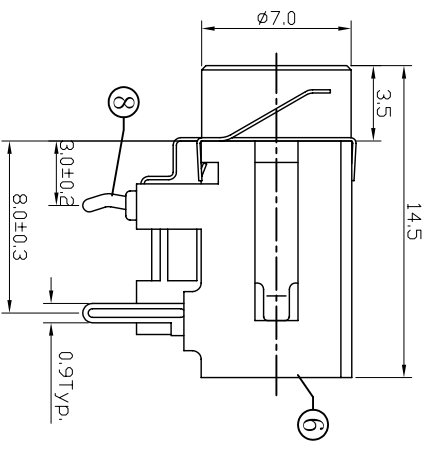
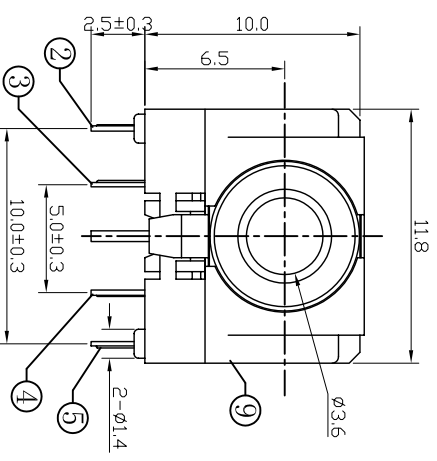
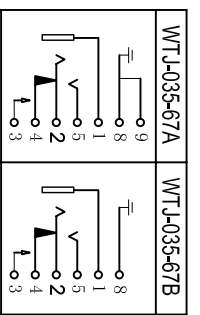


| * REVISIONS | | | | |
|-------------|-------------|------|---------|----------|
| LTR | DESCRIPTION | DATE | REVISED | APPROVED |
| | | | | |



SCHEMATIC



- SPECIFICATION**
1. Rating ?DC 30V 0.5A?
 2. Contact resistance?≤0.03Ω?
 3. Insulation resistance?≥100MΩ (DC250V)?
 4. Withstand voltage?500VAC ?
 5. Insertion and extraction force?3-20N;
 6. life test?5,000 cycles?

T:1:6 Dimensions of PC board holes
Tolerance : ±0.1(Printed-top view)

| | | | | |
|------|--------------|------------|----------------------|---------------------|
| 9 | SPRING PIECE | 1 | SUS301 | Ni-Plating |
| 8 | CONTACT | 1 | BRASS | Ag-Plating |
| 7 | POINT | 1 | PA66 | |
| 6 | HOUSING | 1 | PBT | |
| 5 | SPRING PIECE | 1 | PHOSPHOR BRONZE | Ag-Plating |
| 4 | CONTACT | 1 | SUS301 | Ag-Plating |
| 3 | CONTACT | 1 | PHOSPHOR BRONZE | Ag-Plating |
| 2 | SPRING PIECE | 1 | SUS301 | Ag-Plating |
| 1 | CONTACT | 1 | BRONZE | Ag-Plating |
| LTR | FOR PRT NAME | QTY | MATERIAL | REMARK |
| DSND | ANDY | 2002.11.13 | | |
| DWN | ANDY | 2002.11.13 | 3RD ANGLE PROJECTION | MINIATURE JACK |
| CHKD | LILY | 2002.11.13 | | |
| APVD | JACKY | 2002.11.13 | UNIT: mm | CAT. NO. WTJ-035-67 |

E-GREEN ENTERPRISE CO., LTD. DWN.NO. XRJ-035-67 001